

Butterfly Valves acc. to DIN EN 593

Vana fluture conform DIN EN 593



CENTER TECH Valves GmbH

resilient seated
etansare elastica

face to face length acc. to DIN EN 558-1 series 14
fata in fata conform DIN EN 558-1 seria 14

PN 10 of ductile cast iron GGG
Fonta ductica GGG PN 10

DN 80 - DN 2000



09-2011410

Butterfly Valves acc. to DIN EN 593

Vana fluture conform DIN EN 593

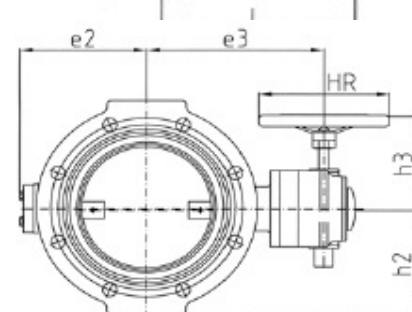
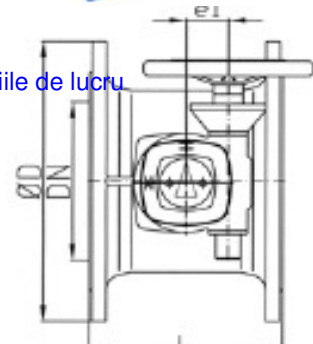
Range of application: Potable water
Domeniu: Apa Potabila

Size Dimensiuni	Pressure rating Presiune	Hydrost. test pressure Testare hidrostatica (bar)	Admissible working pressure Presiune admisibila de lucru (bar)
DN	PN	Body Corp	up to 70°C pana la 70°C
80 - 2000	10	15	10

In case of order please specify the working conditions [La stabilirea comenzii specificati conditiile de lucru](#)

Materials / Equipment [Materiale/ Echipamente](#)

Catalogue No.	Componente	01-2011410	
Body	Corp	GGG 40	GGG 40
Disc	Disc	GGG 40	GGG 40
Seating in the body	Inel etansare in corp	Stainless steel	Otel inox
Retaining ring	Inel retinere	GGG 40	GGG 40
Profile sealing ring	Garnitura profil etansare	EPDM or NBR	EPDM sau NBR
Bearing bushes	Bucse lagar	Bronze	Bronz
Shafts	Tija actionare	Stainless steel 1.4021	Otel inox 1.4021
Bearing covers	Acoperie lagar	GGG 40	GGG 40
O-rings	Garnituri	EPDM or NBR	EPDM sau NBR
Bolts and nuts	Organe de asamblare	Stainless steel A2	Otel inox A2
Corrosion protection	Protectie anticoroziva	epoxy powder coated RAL 5015	Acoperire epoxidica RAL 5015
Gearbox	Reductor	Wormgearbox	Reductor cu melc
Handwheel	Roata de manevra	Steel, black coated	Otel, vopsit in negru



Diametre	Lungimi fata in fata conform DIN EN 558-1 Seria 14	Flanse Ø	Roata de manvra Ø	Dimensiuni					Greutate ~ kg	Volum ~ m³
				h ₂	h ₃	e ₁	e ₂	e ₃		
DN	L	D	HR	mm	mm	mm	mm	mm		
mm	mm	mm	mm	mm	mm	mm	mm	mm		
80	180	200	125	143	105	50	115	198	27	0,02
100	190	220	125	143	115	50	130	213	33	0,02
125	200	250	125	143	135	50	145	233	36	0,03
150	210	285	150	145	145	50	165	238	42	0,04
200	230	340	200	150	185	50	195	273	53	0,05
250	250	395	200	150	205	50	215	303	69	0,07
300	270	445	300	200	230	63	255	340	90	0,11
350	290	505	300	200	260	63	290	380	116	0,15
400	310	565	400	205	285	80	330	453	161	0,24
450	330	615	400	205	315	80	365	468	190	0,28
500	350	670	400	285	340	100	390	520	250	0,35
600	390	780	500	285	385	100	450	595	335	0,55
700	430	895	400	337	450	125	535	665	507	0,67
800	470	1015	400	337	510	125	585	720	657	0,85
900	510	1115	400	415	565	160	650	780	930	1,12
1000	550	1230	500	415	710	160	710	845	1.174	1,52
1100	590	1340	400	520	810	200	775	920	1.456	1,85
1200	630	1455	500	520	860	200	840	990	1.862	2,11
1400	710	1675	500	540	785	230	1065	970	3.600	2,85
1500	750	1820	500	540	680	230	1170	1090	4.350	3,45
1600	790	1930	500	540	730	230	1285	1240	4.700	4,6
1800	870	2115	500	540	785	230	1390	1360	5.600	5,4
2000	950	2325	500	540	890	230	1410	1490	6.350	6,6