

# ROBINET CU BILA DIN ALAM PENTRU APOMETRU

## Agrement apa potabila - A.C.S. N° 07 ACC LY 644

### Ref. 654/656/657/659

Ref. : DS 654

Rev. : 4

Date : 02/08



Valves and fittings

#### SPECIFICATII :

- . Cu holender si mufa DECA
- . Montaj inate si dupa apometru
- . Cu presgarnitura
- . Cu orificiu in piulita pentru sigiliu

#### UTILIZARE :

- . Distributia apei
- . Temperatura Max. Ts : 120°C
- . Presiunea Max. Ps : 20 bars

#### Variante constructive :

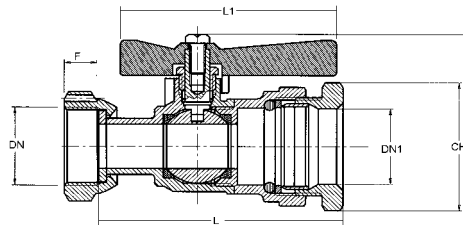
- . Holender/mufa DECA drept tip **Ref. 654**
- . Holender/mufa DECA drept cu drenaj **Ref. 657**
- . Holender/mufa DECA in colt tip **Ref. 659**
- . Holender/mufa DECA in colt cu drenaj **Ref. 656**

#### MATERIALE :

PARTI COMPONENTE	MATERIAL
Corp	Alama EN 12165
Bila	Alama cromata EN 12165
Ax	Alama EN 12164
Scaun	PTFE
Garnitura	PTFE
Levier	Alama

#### DIMENSIUNI :

Ref.	DN	3/4"	3/4"	3/4"	1"	1"
654	DN1	20	25	32	25	32
	L	80	75	82	75	81,5
	H	38,5	38,5	38,5	42	42
	F	10,5	10,5	10,5	8	8
	CH	33	39	48	39	48
	L1	70	70	70	70	70
	Weig.	0,36	0,33	0,4	0,49	0,57



Ref. 654



Ref. 656



Ref. 657



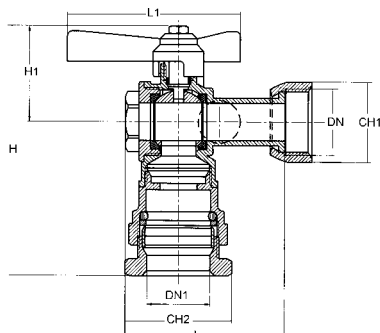
Ref. 659

#### STANDARDE :

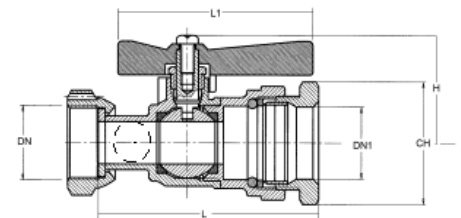
Agrementare Apa de la Institutul Francez  
N° (A.C.S.) N° 07 ACC LY 644

Produce excluse de la DIRECTIVA 97/23/CE :  
din directiva (Articolele 1,§3.2)

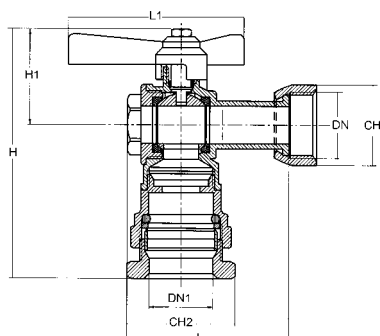
Ref.	DN	3/4"	3/4"
656	DN1	25	32
	L	64,5	64,5
	H	95	102
	H1	38	38
	CH1	32	32
	CH2	39	48
	L1	70	70
Weig.	0,47	0,54	



Ref.	DN	3/4"	3/4"
657	DN1	25	32
	L	86	93
	H	40	40
	CH	39	48
	L1	70	70
Weig.	0,41	0,48	



Ref.	DN	3/4"	3/4"
659	DN1	25	32
	L	55,5	55,5
	H	95	102
	H1	38	38
	CH1	32	32
	CH2	39	48
	L1	70	70
Weig.	0,43	0,5	



**ADVICE :** Our opinion and our advice are not guaranteed and SFERACO shall not be liable for the consequences of damages. The customer must check the right choice of the products with the real service conditions.



## Duna Armatura Bucuresti

Bulevardul Ghencea Nr. 79, Bucuresti

Tel: +40 213 170 246 Fax: +40 213 170 248

mail: office@duna-armatura.ro

www.duna-armatura.ro