



ACCESS COVERS & FRAMES

SVELTO HC3 B125

SQUARE SINGLE SEAL / HC RANGE

Class B125
EN124 : 1994

Composite

DESIGN FEATURES :

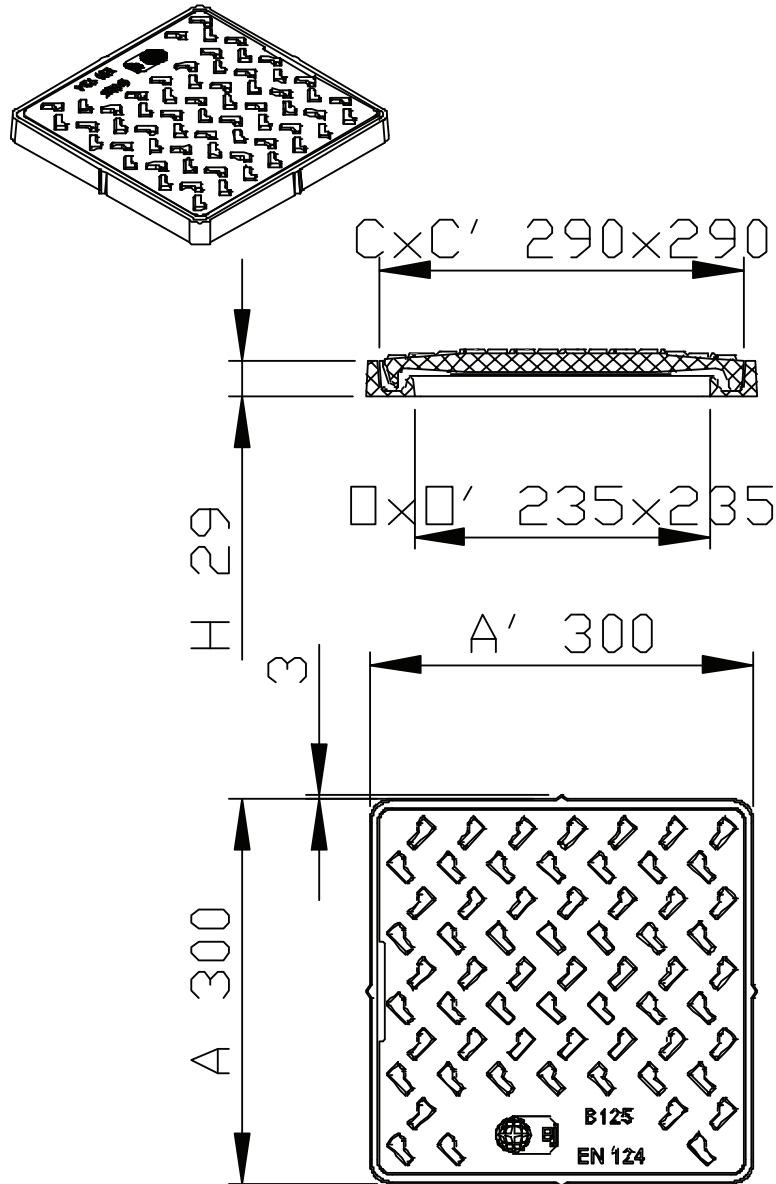
- *Material(s)* :
Composite
- *Design load* :
125 kN to EN 124.
Installation area :
Group 2 - Footways, pedestrians areas and comparable areas, car parks or car parking decks, and lower groups.
- *Coating* :
Fine cast.

SPECIAL FEATURES :

- *Mass* :
Cover : 3.9 Kg
Product total : 6.9 kg.
- *Surface finish* :
Cover: Anti-slip surface with 4L patented design.
- *Frame type* :
Single seal ≥ 6 mm. Odour resistant.
square monoblock frame as cast.
- *Frame bearing pressure* :
 $p \leq 7.5$ N/mm².

HANDLING :

Cover provided with a keyhole and prising slot in order to allow the handling by means of a pick or a hook.



- Weights (kg), dimensions (mm), and drawings provided for your guidance.
- We reserve the right to modify specifications without prior notice.
- Uncontrolled distribution.

CONFIDENTIAL
Property of EJ EMEA
Not to be used without permission.

EJ
ZI De Marivaux | Saint-Crépin Ibouvillers |
BP50409 | 60544 Méru Cedex | France

Quality System ISO 9001 - ISO 14001 - OHSAS 18001

ejco.com

Data sheet :
AP_544579

Date updated :
24.02.2014

Printed : 24.02.2014



ACCESS COVERS & FRAMES

SVELTO HC4 B125

SQUARE SINGLE SEAL / HC RANGE

Class B125
EN124 : 1994
Composite
&
EN GJS 500-7 Iron
ISO 1083 / EN1563

DESIGN FEATURES :

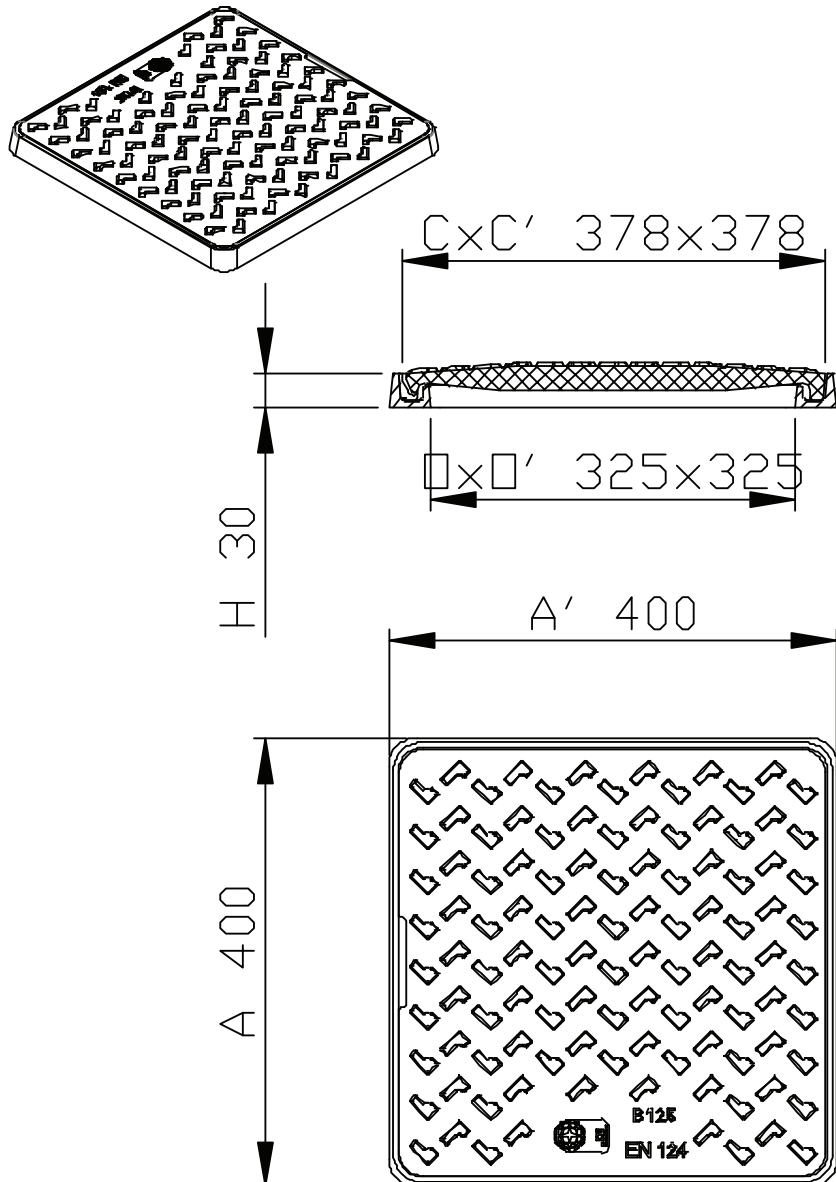
- **Material(s) :**
Frame : EN GJS 500-7 Iron
ISO 1083 / EN1563
Cover : Composite
- **Design load :**
125 kN to EN 124.
Installation area :
Group 2 - Footways, pedestrians areas and comparable areas, car parks or car parking decks, and lower groups.
- **Coating :**
Frame : waterbased black paint.

SPECIAL FEATURES :

- **Mass :**
Cover : 6.7 Kg
Product total : 11.8 kg.
- **Surface finish :**
Cover: Anti-slip surface with 4L patented design.
- **Frame type :**
Single seal ≥ 6 mm. Odour resistant.
square monoblock frame as cast.
- **Frame bearing pressure :**
 $p \leq 7.5 \text{ N/mm}^2$.

HANDLING :

Cover provided with a keyhole and prising slot in order to allow the handling by means of a pick or a hook.



- Weights (kg), dimensions (mm), and drawings provided for your guidance.
- We reserve the right to modify specifications without prior notice.
- Uncontrolled distribution.

CONFIDENTIAL
Property of EJ EMEA
Not to be used without permission.

EJ
ZI De Marivaux | Saint-Crépin Ibouvillers |
BP50409 | 60544 Méru Cedex | France

Quality System ISO 9001 - ISO 14001 - OHSAS 18001

ejco.com

Data sheet :
AP_544580
Date updated :
04.12.2013
Printed : 25.02.2014



ACCESS COVERS & FRAMES

SVELTO HC5 B125

SQUARE SINGLE SEAL / HC RANGE

Class B125
EN124 : 1994
Composite
&
EN GJS 500-7 Iron
ISO 1083 / EN1563

DESIGN FEATURES :

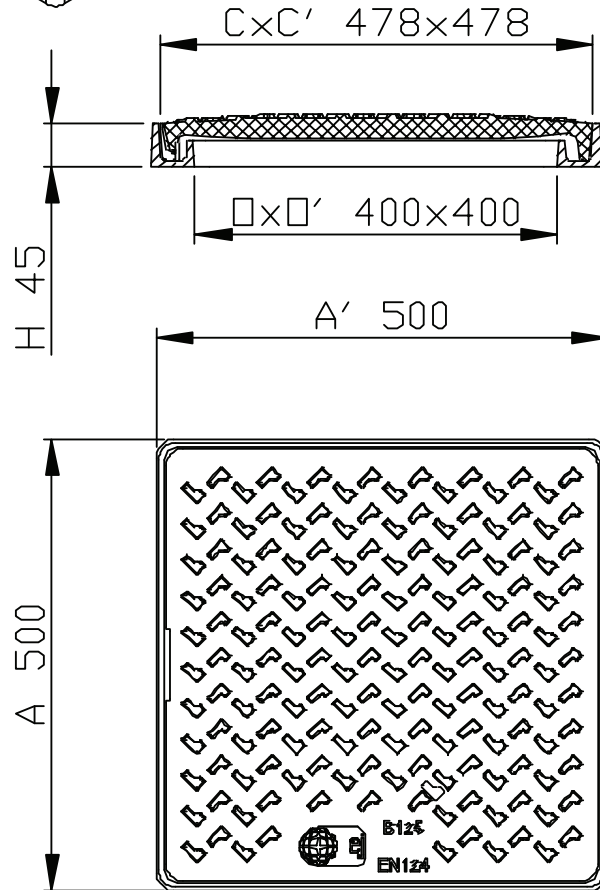
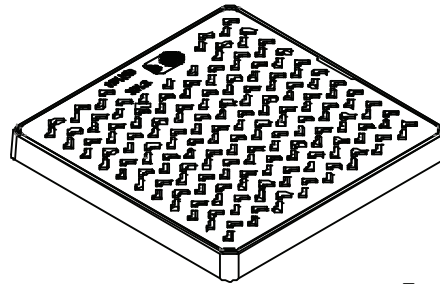
- **Material(s) :**
Frame : EN GJS 500-7 Iron
ISO 1083 / EN1563
Cover : Composite
- **Design load :**
125 kN to EN 124.
Installation area :
Group 2 - Footways, pedestrians areas and comparable areas, car parks or car parking decks, and lower groups.
- **Coating :**
Frame : waterbased black paint.

SPECIAL FEATURES :

- **Mass :**
Cover : 12.3 Kg
Product total : 23.5 kg.
- **Surface finish :**
Cover: Anti-slip surface with 4L patented design.
- **Frame type :**
Single seal ≥ 6 mm. Odour resistant.
square monoblock frame as cast.
- **Frame bearing pressure :**
 $p \leq 7.5 \text{ N/mm}^2$.

HANDLING :

Cover provided with a keyhole and prising slot in order to allow the handling by means of a pick or a hook.



DRAFT

- Weights (kg), dimensions (mm), and drawings provided for your guidance.
- We reserve the right to modify specifications without prior notice.
- Uncontrolled distribution.

CONFIDENTIAL
Property of EJ EMEA
Not to be used without permission.

EJ
ZI De Marivaux | Saint-Crépin Ibouvillers |
BP50409 | 60544 Méru Cedex | France
Quality System ISO 9001 - ISO 14001 - OHSAS 18001
ejco.com

Data sheet :
AP_544581
Date updated :
04.12.2013
Printed : 25.02.2014



ACCESS COVERS & FRAMES

SVELTO HC6 B125

SQUARE SINGLE SEAL / HC RANGE

Class B125
EN124 : 1994
Composite
&
EN GJS 500-7 Iron
ISO 1083 / EN1563

DRAFT

DESIGN FEATURES :

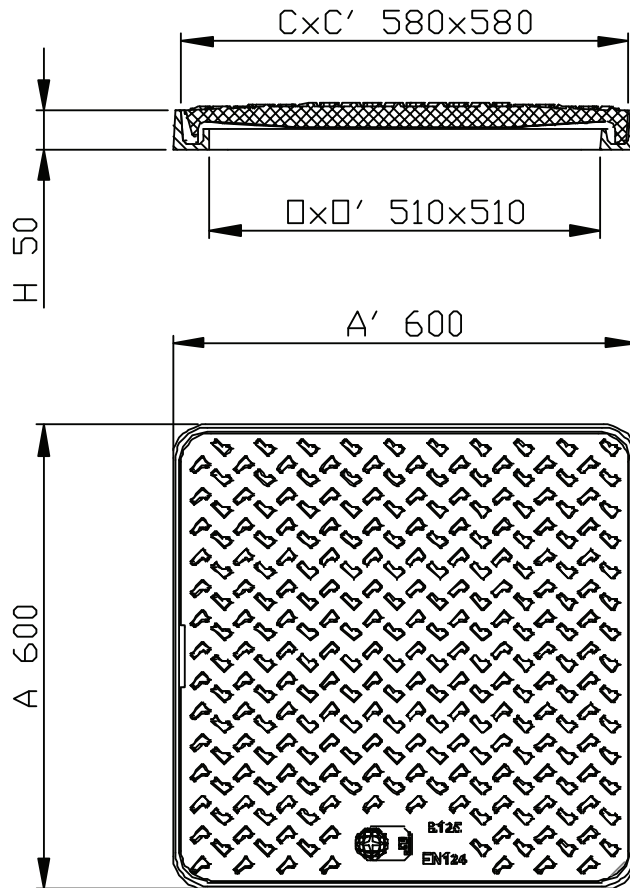
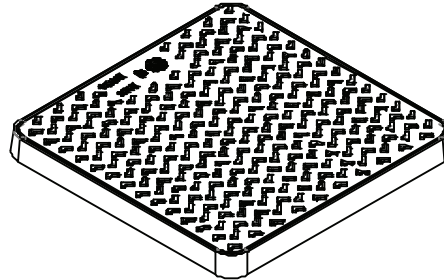
- *Material(s) :*
 Frame : EN GJS 500-7 Iron
 ISO 1083 / EN1563
 Cover : Composite
- *Design load :*
 125 kN to EN 124.
 Installation area :
 Group 2 - Footways, pedestrians areas and comparable areas, car parks or car parking decks, and lower groups.
- *Coating :*
 Frame : waterbased black paint.

SPECIAL FEATURES :

- *Mass :*
 Cover : 16.3 Kg
 Product total : 29.1 kg.
- *Surface finish :*
 Cover: Anti-slip surface with 4L patented design.
- *Frame type :*
 Single seal ≥ 6 mm. Odour resistant.
 square monoblock frame as cast.
- *Frame bearing pressure :*
 $p \leq 7.5 \text{ N/mm}^2$.

HANDLING :

Cover provided with a keyhole and prising slot in order to allow the handling by means of a pick or a hook.



- Weights (kg), dimensions (mm), and drawings provided for your guidance.
- We reserve the right to modify specifications without prior notice.
- Uncontrolled distribution.

CONFIDENTIAL
Property of EJ EMEA
Not to be used without permission.

EJ
 ZI De Marivaux | Saint-Crépin Ibouvillers |
 BP50409 | 60544 Méru Cedex | France
 Quality System ISO 9001 - ISO 14001 - OHSAS 18001
 ejco.com

Data sheet :
AP_544582
Date updated :
04.12.2013
Printed : 25.02.2014